

Jaw Crusher





Jaw Crusher is mainly used to crush all kinds of mining stones primarily, and the largest compression resistance of the material is 320MPa. The jaw crusher is widely used in stone mining, metallurgy industry, building material, highway, railway, and chemical industry.





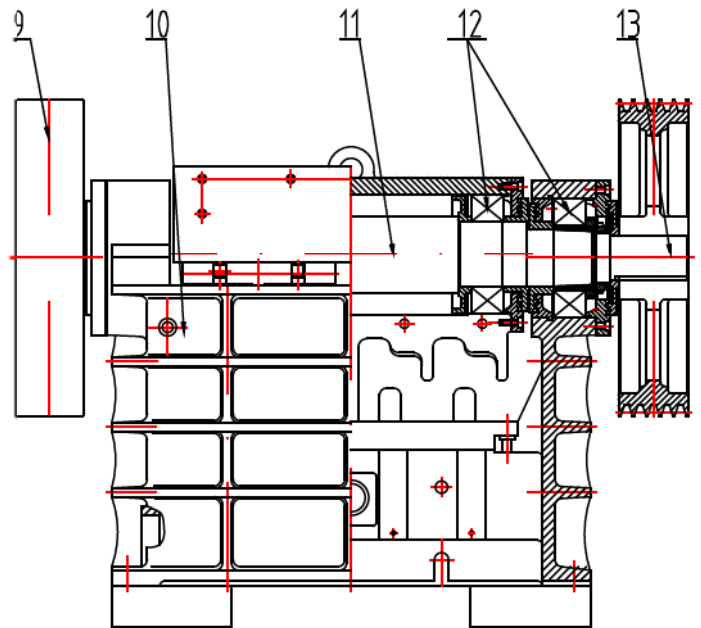
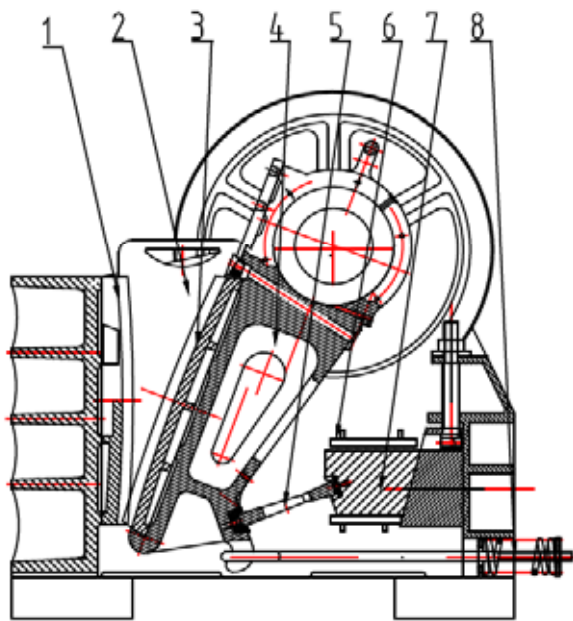


The equipment consists of bracket, jaw, eccentric shaft, jaw plate and toggle plate etc. Eccentric shaft is driven to rotate by motor and jaw runs on adjusted track to crush materials in crushing chamber. The bracket is welded by steel plate. On the front arm of bracket, jaw plate is fixed by wedge-shaped bolt. Edge protection plate is equipped on inside wall of bracket to prevent abrasion.



The moving jaw is a shaped casting with a kinetic jaw plate on the face. The upper part of jaw is hung on upper and lower parts of bracket and supported on ancon plate by eccentric shaft and roller bearing. There equipped flywheel and grooved pulley at both ends of eccentric shaft.



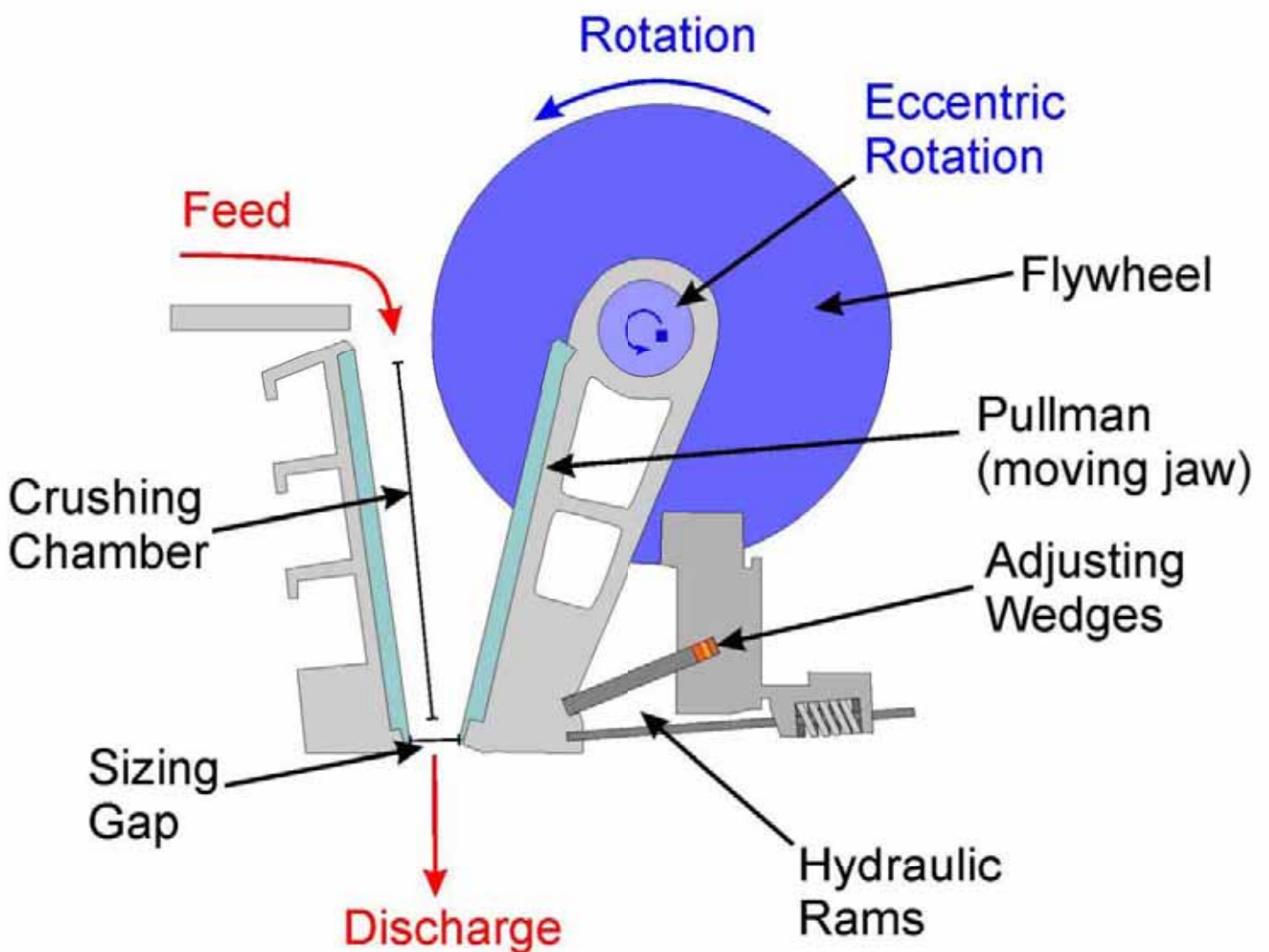


- 1.fixed jaw plate
- 2.guard sheet
- 3.kinetic jaw plate
- 4.active jaw
- 5.toggle plate
- 6.adjust seat
- 7.adjustable wedge
- 8.spring

- 9.flywheel
- 10.frame
- 11.eccentric shaft
- 12.bearing
- 13.belt pulley wheel

■ Work principle

The motor drives the mobile jaw up and down through eccentric shaft. The angle between toggle plate and mobile jaw increases when mobile jaw plate moves up. So the mobile jaw plate closes up the fixed jaw plate. The stuff will be crushed in this process. The angle between toggle plate and moving jaw decreases when mobile jaw moves down. The mobile jaw plate move away from stationary jaw plate with the pulling of draw rod and spring, so the crushed stuff will be discharged from the outlet. This process will repeat. The moving jaw will crush and discharge the stuff circularly.





Features

- High ratio of crushing,
- Even final size,
- Simple structure,
- Reliable working condition,
- Easy maintenance,
- Low operating cost.



■ Problem and solution

Possible problem	Cause	Solution
The flywheel rotates but cannot crush, the toggle plate falls down	1.spring broken	1.replace spring
	2.draw bar broken	2.replace draw bar
	3. draw bar bolts loose	3.fasten the bolts
Mobile jaw plate jump	Jaw plate fasteners loose	Fasten the bolts
Fixed jaw plate jump	Jaw plate asterers loose	Fasten the bolts
The temperature of bearing too high	1.lack of lubricant oil	1.Add more oil
	2.oil dirty	2.Replace the oil
	3.bearing broken	3.Replace the bearing
Noise at back of the machine	Draw rod loose, toggle plate beat the moving jaw and liner gasket	Fasten the draw bar bolt





Model	Max. Feeding Size (mm)	Discharge Size (mm)	Capacity (t/h)	Motor Power (kw)	Overall Dimensions (mm)	Weight (t)
PE150×250	125	10-40	1-3	5.5	896×745×935	0.8
PE250×400	200	20-60	5-20	15	1150×1275×1240	2.8
PE400×600	350	40-100	15-60	30	1700×1732×1653	6.5
PE500×750	425	50-100	50-100	55	2035×1921×2000	10.3
PE600×900	480	65-160	60-130	75	2290×2206×2370	16.5
PE750×1060	630	80-140	80-180	110	2620×2302×3110	29
PE900×1200	750	95-165	140-260	110	3789×2826×3025	54.5
PEX250×750	210	25-60	10-40	22	1667×1545×1020	5
PEX250×1000	210	25-60	15-50	30	1550×1964×1380	6.5
PEX250×1200	210	25-60	20-60	37	1560×2104×1415	7.7



Screening & Washing

Sand Washing Machine
Circular Vibrating Screen

Feeding & Conveying

Belt Conveyor
Vibrating Feeder

Crushing

Jaw Crusher
Impact Crusher
Hammer Crusher
Spring Cone Crusher
Hydraulic Cone Crusher
VSI Sand Making Machine
PCL Sand Making Machine
European Type Jaw Crusher
PYS Symons Cone Crusher
Mobile Crushing & Screening Plant

Grinding Plant

Ball Mill
Raymond Mill
High Pressure Suspension Mill
MSB series Coarse Powder Mill
Super Pressure Trapezium Grinding Mill
HGM Three-Rings & Medium-Speed MicroPowder Mill

New Production Technics

Grinding Production Line
Sand Making & Washing Plants
Stone Crushing & Screening Plants
Manufactured Sand Processing Chart
Construction Waste Crushing Technics
Basalt Aggregate for Express Highway Processing Technics

Pious / Elaborate / Rigorous / Harmonious

- *20 Years Experience*
- *High reputation*
- *High quality products*
- *Competitive price*
- *Professional Liming Teams*
- *King-like customer service*

Contact us

Tel : 0086-371-67992899

0086-371-67371699

Fax: 0086-371-67992699

Email: break-day@break-day.com

MSG online: summer_8001@yahoo.com

MSN online: Miningmachine@hotmail.com

Website: <http://www.break-day.com>

zip code: 450001

Address: No. 15, Dingxiangli Road, National HI-TECH Industry Development Zone, Zhengzhou, China.



Henan Liming Road & Bridge Heavy Industry Co., Ltd